



DÖTTLING

FINEST GERMAN HANDCRAFT
SINCE 1919

THE BEL-AIR

High Security Luxury Safes

The Bel-Air is a handmade high-security safe of the luxury class, as unique as its owner.

Each masterpiece is individually manufactured to your personal requirements, using only selected materials crafted with utmost care.

The Bel-Air represents a luxurious symbiosis of absolute technical perfection and consistent, timeless, elegant design. A testimony to the highest demands for the most demanding among us.

Through the individual selection of surface materials and an interior that can be selected completely freely, each piece becomes your own personal The Bel-Air.

We make no compromises when it comes to the workmanship and security requirements.

Built for your peace of mind. And pleasure – it's a Döttling.



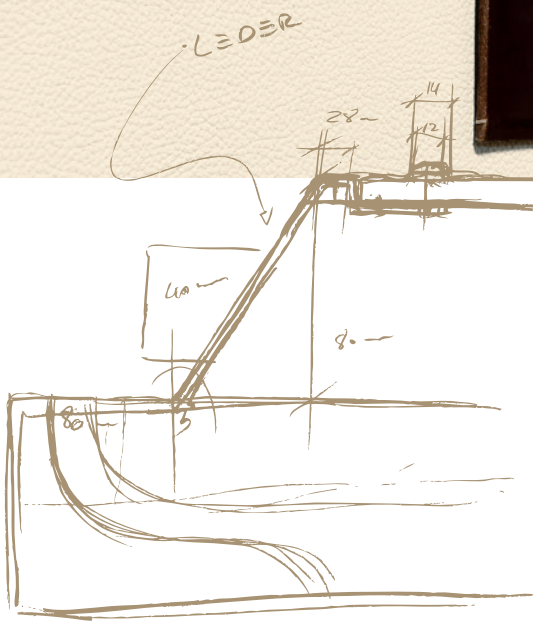
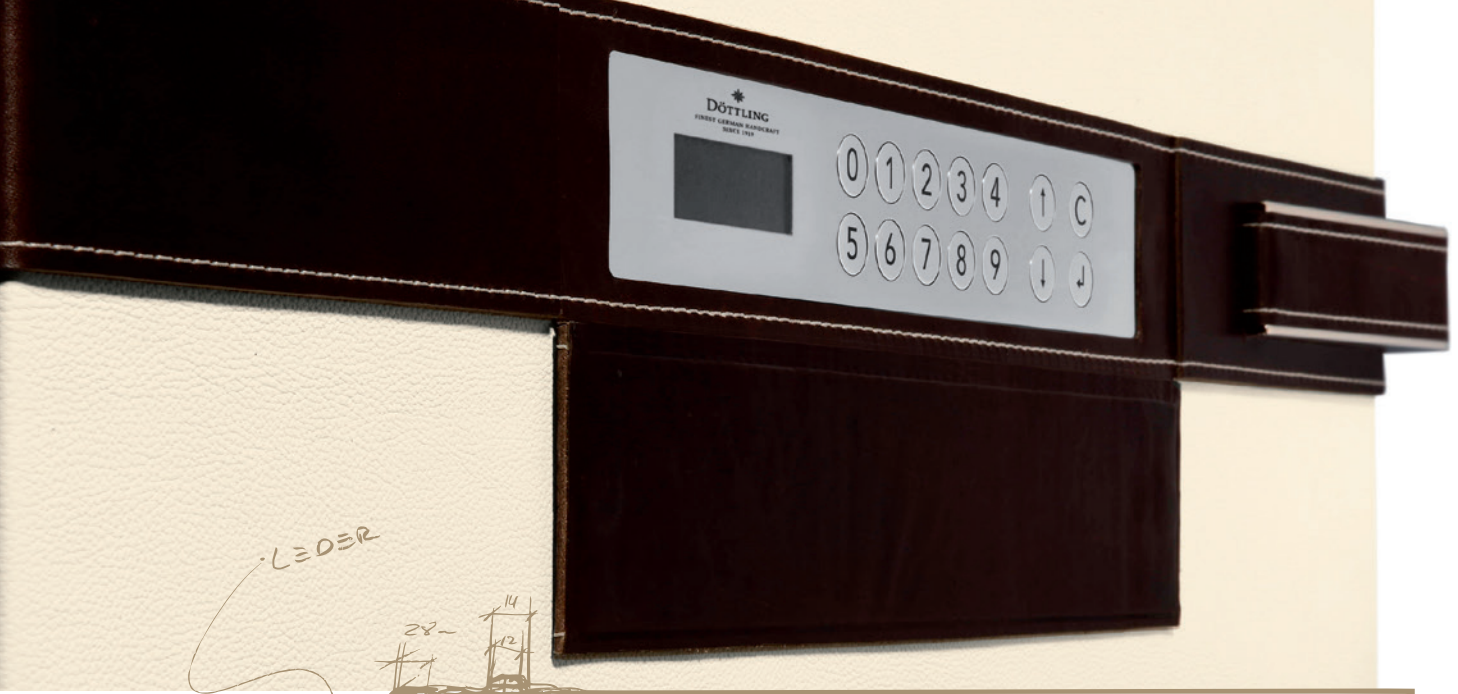


Döttling: More than a name. A philosophy.

With a Döttling high security luxury safe you get in touch with centuries of experience in high-precision craftsmanship.

Around the world, Döttling safes find homes among select connoisseurs and enthusiasts of the finest locksmith artistry. Döttling has been renovating and building custom-made safes for almost 100 years.

Handcrafted in Germany – for your benefit.



A safe with its own personality.

With our continuing quest for excellence we individually develop and design our products on behalf of your needs or those of experts you trust, like your interior designers and architects.

We realize your dreams.
With our love for detail,
the result is simply unique.

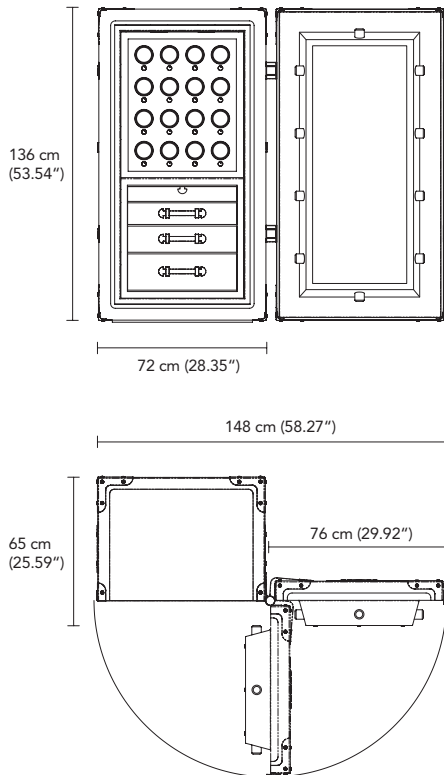


Shelves, racks, lockable drawers, jewelry compartments, mini bars, watch collector cabinets or watch winders, gun cabinets, humidors or other thoughtful details are realized with our cutting-edge technology and finest craftsmanship.

The only work you have to do is to tell us what you want.

Design your own Döttling.

Technical data and measurements:



Weight ca. 800 kg (approx. 1,760 lbs)



Your collector's items are safely stored in a collector's item.

Only the highest standards are good enough for us. This attention to quality, combined with our extensive product testing, insures the durability of our high security luxury safes.

The Bel-Air is manufactured according to the strictest German Industry Standard (Deutsche Industrie Norm) DIN EN ISO 9001 and complies with the European Guidelines ECB-S/EN 1143-1.

We use patented armor plating containing vulcanized hard sinter ceramic stones with a hardness grade of 9 (out of 10). Our electronic locking system offers multiple functions and great comfort.

Needless to say, Döttling luxury safes meet all insurance requirements.